



10190/IMQ
BuyLine 9775

Make the
Break from
Traditional
Hooks and
Pins. Choose
the Safe,
Easy-to-Use
Alternative...
Imperial's
Break-A-Way™
Curtain
Hanging
System.

Psychiatric Facilities

Drug Rehabilitation Centers

Nursing Homes

Pediatric/Adolescent Facilities

Dormitories & Camps

Correctional Facilities & More!



Imperial Fastener Co., Inc., a leading manufacturer of cubicle tracks and flame resistant cubicle curtains for the health care industry, also manufactures institutional shower curtains, linen cart covers, I.V. tracks and bottle holders, and much more!

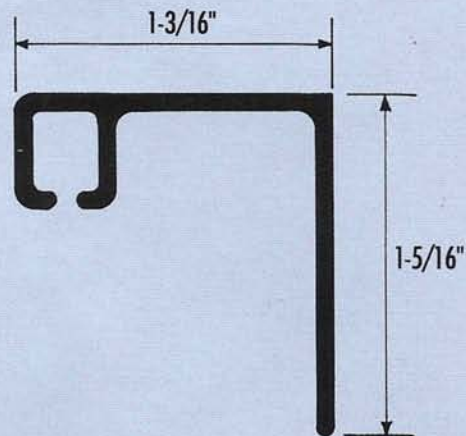
As specialists serving the health care industry, Imperial strives to provide innovative solutions to meet the industry's special needs. Imperial's Jiffy "Break-A-Way"™ Curtain Hanging System is today's answer to reducing maintenance costs and creating a safer environment in your facility.

The Imperial Jiffy "Break-A-Way" Curtain Hanging System was designed with safety and simplicity in mind. The system includes the IFC-69 Jiffy ceiling mounted or the IFC-79 Jiffy wall mounted track which can be fastened securely to the ceiling or wall using tamper resistant hardware (by others). Imperial "Safety Tabs" are then inserted in the track through an inconspicuous aperture milled into the top or side of the track, once the track is installed. Draperies, cubicle or shower curtains are then easily attached by pressing together the "Safety Tabs" to the continuous loop tape sewn to the top hem of the curtain. The amount of resistance before "Breaking" is determined by the number of Imperial "Safety Tabs" used in the track.

Since Imperial custom fabricates all tracks and curtains, any size for any application is possible. If curtains with clear vinyl panels are needed for security or nylon mesh tops for ventilation... no problem! Your order is designed to suit your special needs.

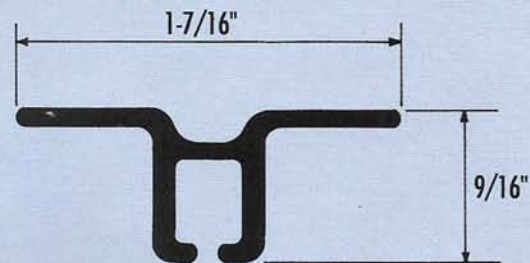
Imperial also offers an extensive selection of fabrics in hundreds of colors and patterns, all designed to provide years of service. Most are inherently flame resistant and easily laundered. The most popular fabrics are the Staph Chek® for shower curtains and the 100% Trevira® Polyester for cubicle curtains, draperies, wardrobe covers, and dressing rooms. Let Imperial provide the innovation, quality, and service you need to operate today's demanding facilities!

TRACKS



IFC-79 Jiffy Break-A-Way Wall Mounted Track

Section Size: 1-3/16" x 1-5/16" x .062" wall thickness. Extruded of 6063-T5 aluminum alloy. Finish is 204-R1 satin anodized. The Jiffy aperture, for safety tab insertion, is milled into the top of the track to minimize its visibility. Track is a wall mount design for use with Imperial's "Break-A-Way" Draperies.



IFC-69 Jiffy Break-A-Way Ceiling Mounted Track

Section Size: 1-7/16" x 9/16" x .062" wall thickness. Extruded of 6063-T5 aluminum alloy. Finish is 204-R1 satin anodized. The Jiffy aperture, for safety tab insertion, is milled into the side of the track to minimize its visibility. Tracks can be custom fabricated to size and shape with 12" radii bends up to 20' total length. The IFC-69 Jiffy is designed for surface mounting to the ceiling for use as a shower or cubicle curtain track.

FABRICATION SPECIFICATIONS

Imperial "Break-A-Way" Window Draperies are made specifically for use with the IFC-79 track. 4" Box Pleats are double lock stitched, bottom hem is a full 3", and sides are a full 1" wide. The continuous 1-1/2" wide loop tape is double lock stitched to the 1-1/2" top hem. Draperies are machine washable, with no hooks to be removed and replaced. Draperies are available with a 100% Trevira Polyester flame resistant liner.

Imperial "Break-A-Way" Shower and Cubicle Curtains are made specifically for use with the IFC-69 Jiffy Track. Top and bottom hems are 1-1/2" wide and double lock stitched. Side hems are 1/2" wide. Bottom hems are not required on the Staph Chek shower curtains. All curtains are available with optional nylon mesh tops for ventilation and sprinkler requirements or clear vinyl panels for security enhancement.



Wall Mounted Drapery

IFC-79 Jiffy Break-A-Way Track and a lined box pleat window drapery. This system provides an attractive window covering while being a "safe" drapery, since no continuous cords or tapes are required. The lack of drapery pins or hooks, allows for machine laundering and easy rehangng of drapery.



Window drapery, shown with the optional lead carrier and fiberglass baton...for total opening and closing ease!



Ceiling Mounted Curtain

IFC-69 Jiffy Break-A-Way Track and a cubicle or shower curtain, shown above, is an excellent choice for "sensitive" areas of Psychiatric, Pediatric or Correctional facilities where patients are not constantly supervised. The cubicle curtains are machine launderable and easy to rehang.



The Staph Chek shower curtain, above, is self-sanitizing and never needs laundering.

FABRICS

Window Coverings and Cubicle Curtains

A vast array of solids, stripes, textures and patterns is available from Imperial. All are made from 100% Trevira Polyester which is permanently flame resistant and machine washable up to 160°F. The optional liner is also 100% Trevira Polyester. Please call or write for fabric swatches.

Shower Curtains

Staph Chek, the finest shower curtain fabric available, is exceptionally durable, fluid proof, permanently flame resistant, tear resistant, self deodorizing and self sanitizing. This high performance, linen finish fabric also comes in an attractive selection of designer colors.

SAFETY TABS

Imperial "Safety Tabs" are 4" long and 3/4" wide. Three Safety Tabs per foot are provided with the tracks. Safety Tabs are easily inserted or removed through the Jiffy aperture which is milled into the track. Tracks are also available without the aperture for security areas.



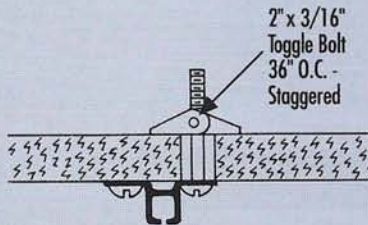
MOUNTING DETAILS

Typical Jiffy Track Mounting Details

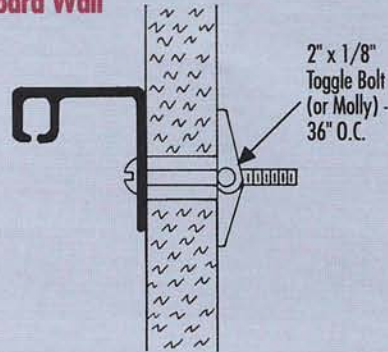
These details represent only a few of the possible methods for installing Imperial Fastener's Jiffy "Break-A-Way" Track. If specific procedures are outlined in contract documents, verify with the architect exactly which method to follow.

Fastening devices noted here are to be used as guidelines only. Specific sizes and spacing must be determined by an installer. No fastening devices or above-ceiling supports are furnished with the track.

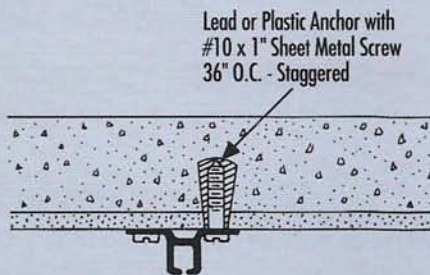
Mounting to Plaster or Gypsum Board Ceiling



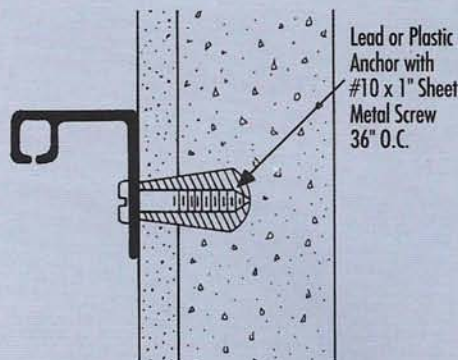
Mounting to Plaster or Gypsum Board Wall



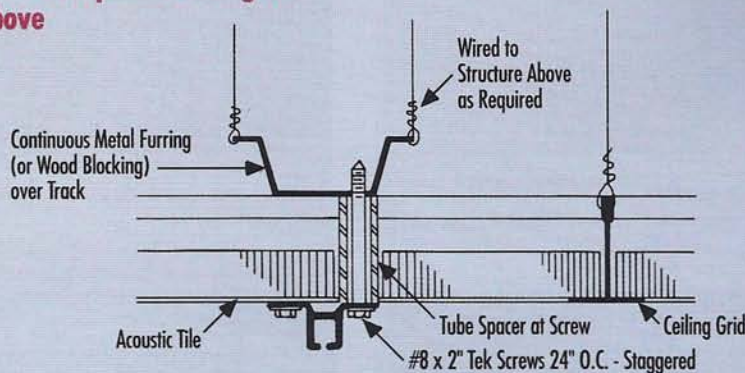
Mounting to Concrete Ceiling



Mounting to Concrete Wall



Mounting Thru Suspended Ceiling to Furring Above



Look to Imperial for Quality and Proven Performance!



Imperial Fastener Company, Inc.

1400 S.W. 8th Street
Pompano Beach, Florida 33069-9794
(954) 782-7130 • FAX (954) 782-0089

Website: www.imperialfastener.com • Email: info@imperialfastener.com

Printed in U.S.A.-Sweet's '96/35M
©1994 Imperial Fastener Company, Inc.