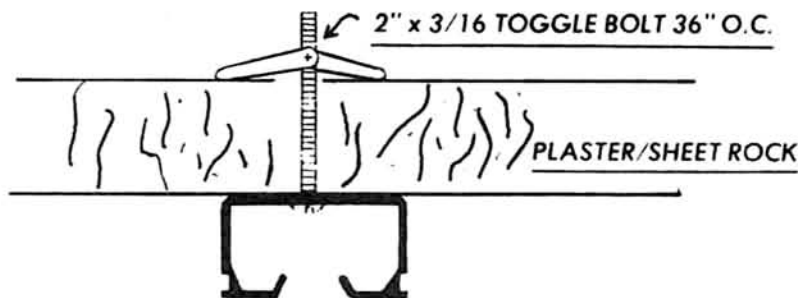


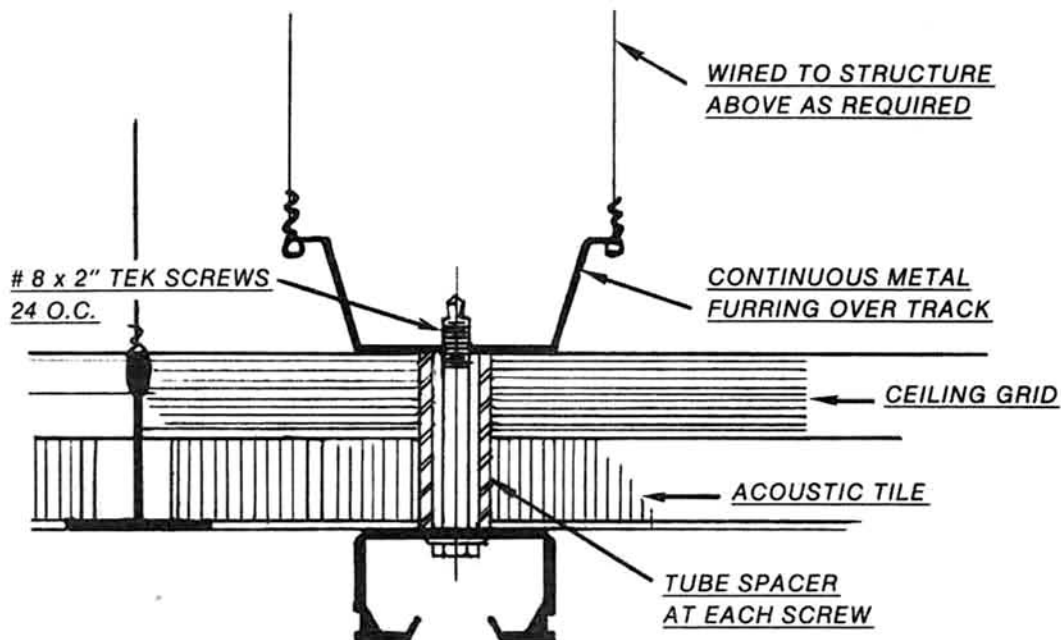


## TYPICAL INSTALLATION DETAILS OF IMPERIAL SURFACE MOUNTED CUBICLE TRACKS

These details represent only a few of the possible installation methods. If specific procedures are outlined in contract documents, verify with architect exactly which method to follow. Fastening devices noted are to be used as guidelines. Specific sizes and spacing must be determined by installer. No fastening devices or any above ceiling supports furnished with track. The methods shown below will work equally well for the IFC-50, IFC-63 and IFC-69 tracks. If utilizing the IFC-69 track, stagger the fasteners between both flanges.



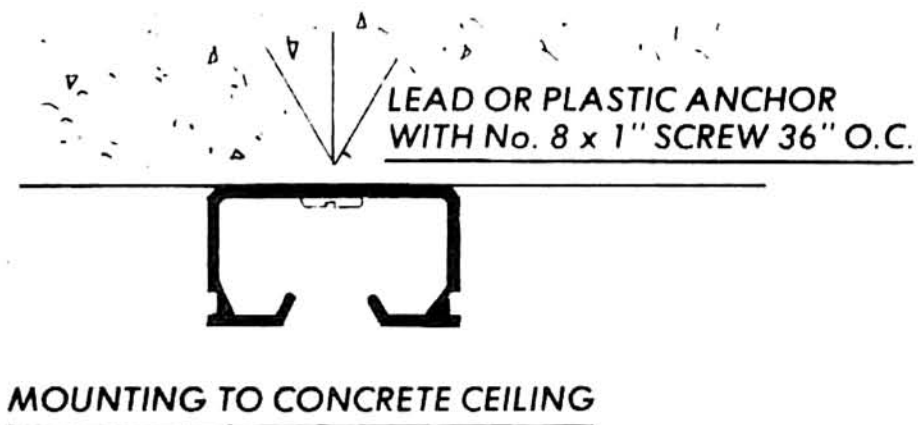
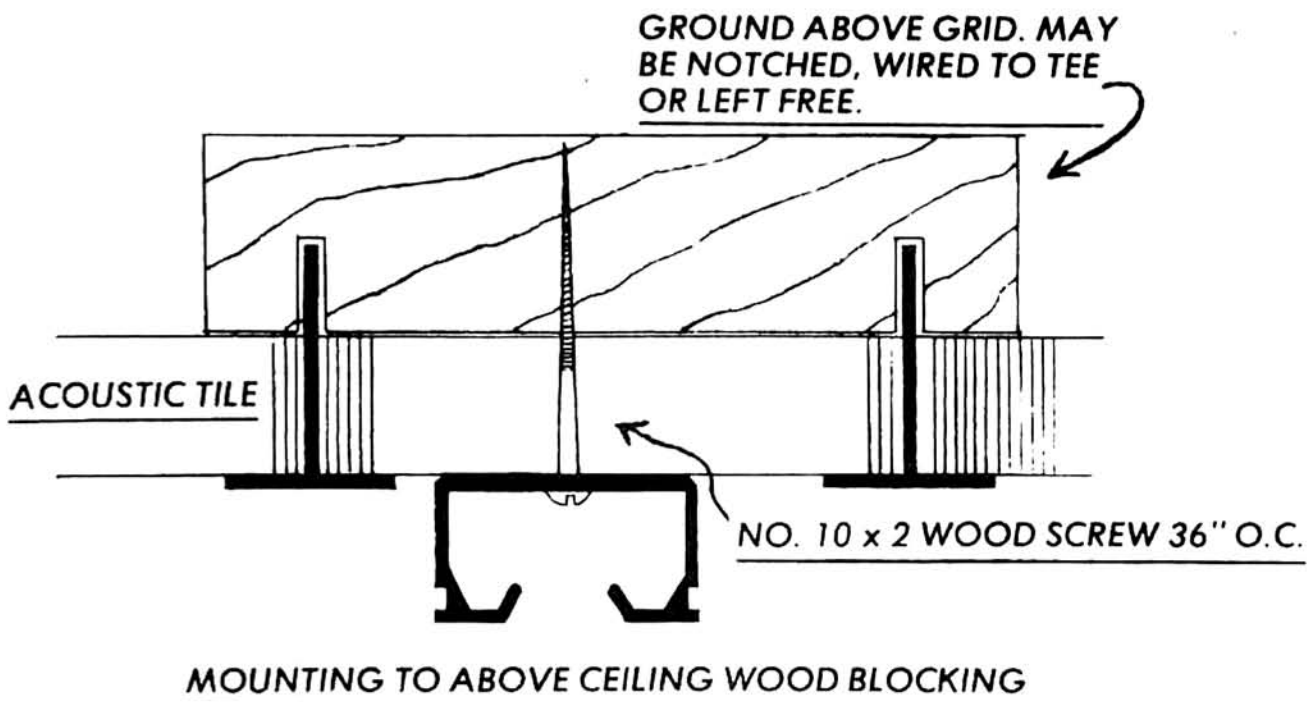
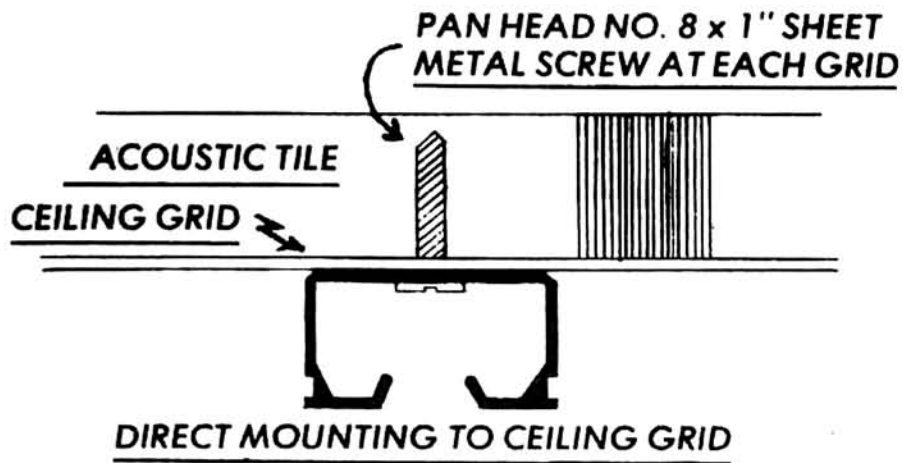
MOUNTING TO PLASTER OR SHEET ROCK CEILING



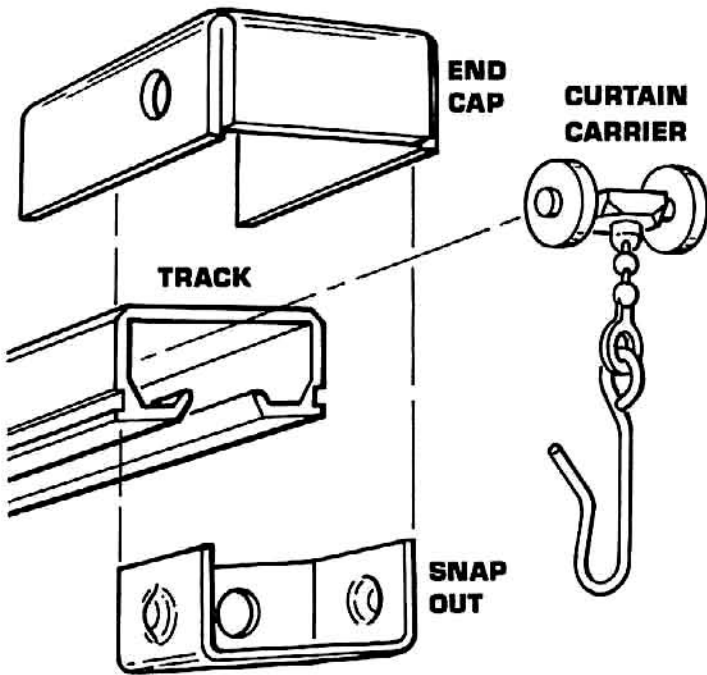
MOUNTING THRU HUNG CEILING TO FURRING SUPPORTED FROM ABOVE

### **Imperial Fastener Company, Inc.**

P.O. Box 578, Pompano Beach, Florida 33061  
1400 S.W. 8th Street, Pompano Beach, Florida 33069  
Phone (954) 782-7130 • FAX (954) 782-0089  
[www.imperialfastener.com](http://www.imperialfastener.com) • e-mail: [info@imperialfastener.com](mailto:info@imperialfastener.com)



# INSTALLATION INSTRUCTIONS FOR CEILING-MOUNTED CUBICLE CURTAIN TRACKS.



## NOTE:

ONE PAIR OF END CAPS CONSISTS OF 2 EACH END CAPS AND ONE EACH SNAP-OUT.

To install the tracks, use the procedure below.

1. Lightly mark the ceiling where the track is to be installed. Starting from the center point of the radius, drill in the exact center of the track at intervals of 3'0". When drilling ends of track, install End Caps and Snap Outs and drill through these simultaneously with the track. Drill size should be compatible with the fastenings being used. NOTE: Fastenings should be of the pan head type, not greater than #12 in size.
2. Using boards or other suitable materials, prop the track against the ceiling, then mark the hole locations on the ceiling through the drill-holes. (Where the track is to be mounted on wood backing drill pilot holes into the ceiling, using the drill-holes in the track as guides, then install wood screws of sufficient length to ensure a strong fastening).
3. An End Cap must be installed at the track terminus, and a Snap Out must be installed at the Curtain Stacking Point. It is not necessary to install Curtain Carriers at this time, but it may be done, if desired. To calculate the number of Curtain Carriers required, use the following formula:  

$$\text{Number of carriers} = (\text{Total Curtain Width} \times 2) + 1.$$
 For example, if the total width of curtain is 12 feet, then:  

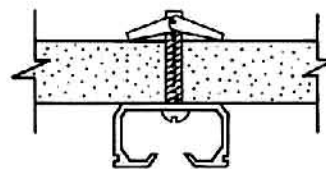
$$\text{Number of carriers} = (12 \times 2) + 1 = 25$$

4. Where track is to be spliced, particular attention must be paid to the ends being joined. The Splices supplied are designed to provide a smooth transition from one section of track to the next, but burrs or other malformations of the ends being spliced could lead to binding or jamming of the Curtain Carriers. To avert this, remove burrs on the track ends to the extent that a small chamfer is formed, then slip both ends into the splice and put fasteners in both track ends.

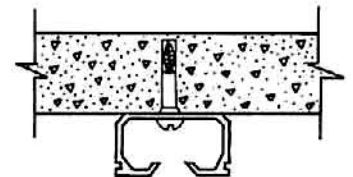
## SUSPENDED INSTALLATION:

For suspended installations, the same instructions apply as for the ceiling installation, but with the following exceptions.

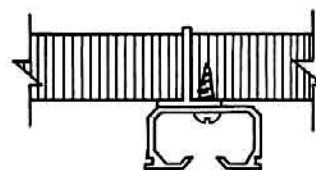
1. The standard suspension height, measured from the floor, is 7'3", and Wall Sockets should be installed at this height. Dimensions for Wall Sockets are specified in the Shop Drawing.
2. Place Large Bend cut to proper size, with the ends in the Wall Sockets, and, using boards or other suitable material, prop the Large Bend into position. If an additional cubicle is to be attached, fit a Radius Tie Assembly at the radius of the first cubicle.
3. With the track placed at the proper level, install Ceiling Sockets at all of the points called for in the Shop Drawing and cut risers to the required length. Attach risers by means of the furnished self-tapping screws. NOTE: Additional risers must be added at all spliced points in the track.
4. Curtain Carriers may be inserted by removing the Gate in the Wall Socket. Replace the Gate after carriers have been inserted.



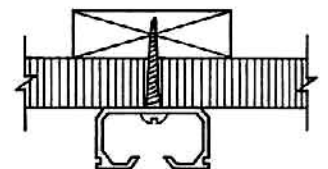
**ON PLASTER & LATH OR GYPSUM BOARD**  
3/16" toggle bolt 3'0" o.c.



**ON CONCRETE CEILING CONSTRUCTION**  
1" plastic plug with #10x1" sheet metal screws staggered 3'0" o.c.



**ON EXPOSED GRID SYSTEM**  
#6x1/2" sheet metal screws



**ON ACOUSTIC TILE MECHANICALLY SUSPENDED**  
1x3 fireproof grounds with wood screws